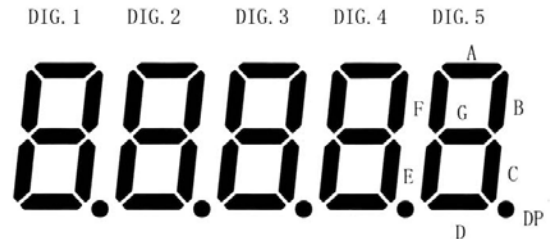
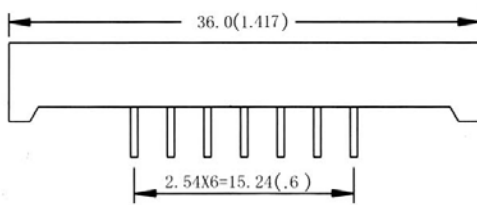
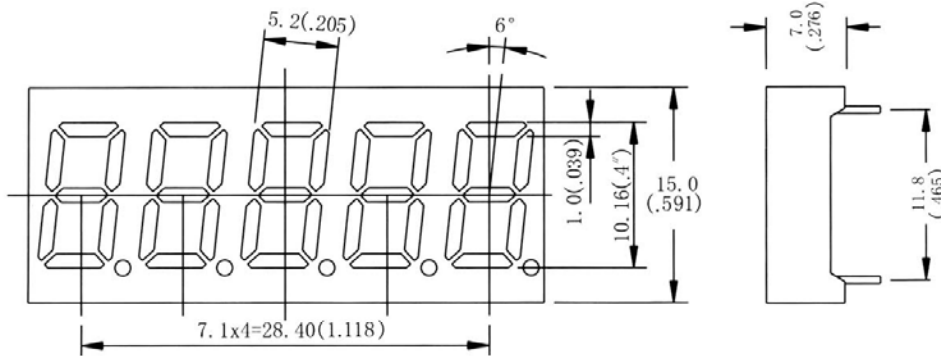
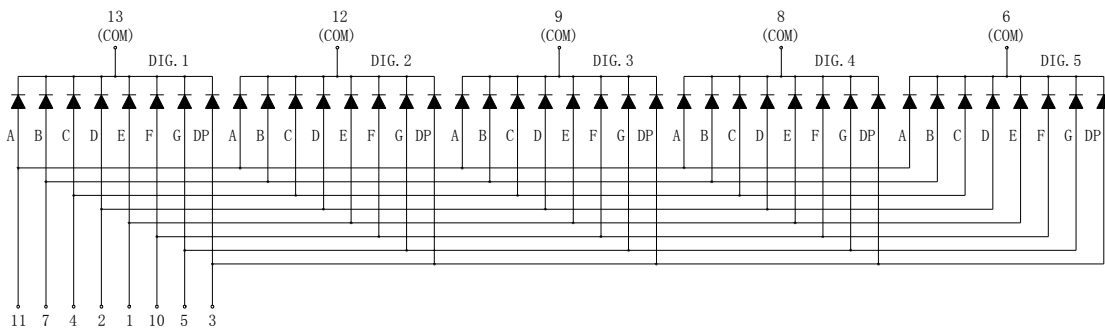


PACKAGE DIMENSION

HS-4501A/BX

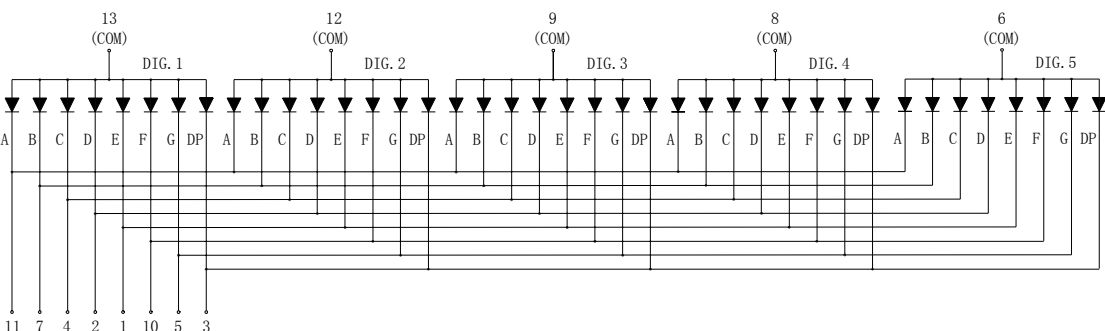


HS-40A



- 1. ANODE E
- 2. ANODE D
- 3. ANODE DP
- 4. ANODE C
- 5. ANODE G
- 6. COMMON CATHODE DIG. 5
- 7. ANODE B
- 8. COMMON CATHODE DIG. 4
- 9. COMMON CATHODE DIG. 3
- 10. ANODE F
- 11. ANODE A
- 12. COMMON CATHODE DIG. 2
- 13. COMMON CATHODE DIG. 1
- 14. NO PIN

HS-40B



- 1. CATHODE E
- 2. CATHODE D
- 3. CATHODE DP
- 4. CATHODE C
- 5. CATHODE G
- 6. COMMON ANODE DIG. 5
- 7. CATHODE B
- 8. COMMON ANODE DIG. 4
- 9. COMMON ANODE DIG. 3
- 10. CATHODE F
- 11. CATHODE A
- 12. COMMON ANODE DIG. 2
- 13. COMMON ANODE DIG. 1
- 14. NO PIN