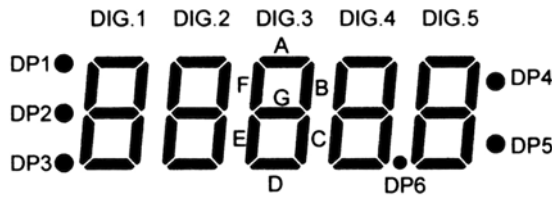
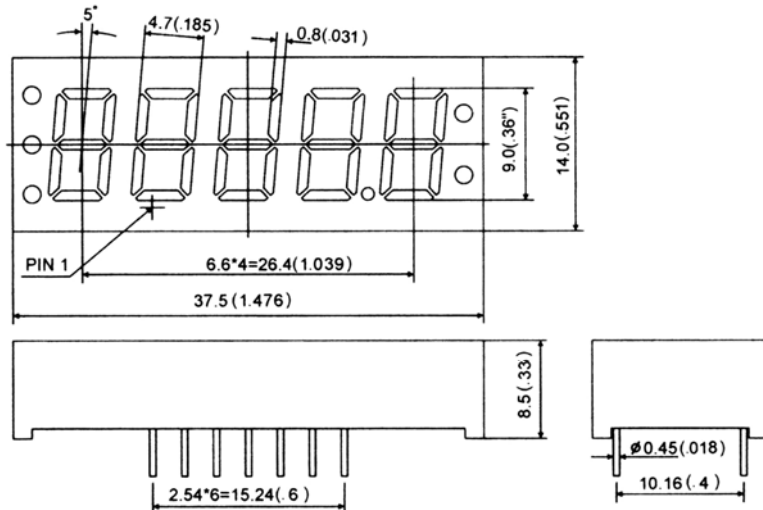
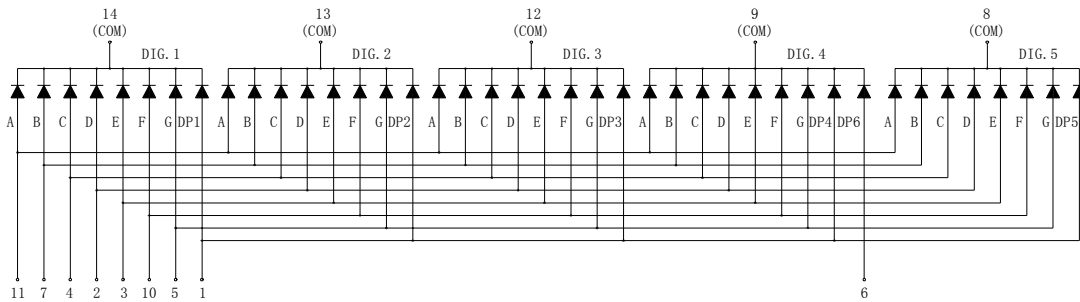


**PACKAGE DIMENSION**

HS-3661A/BX

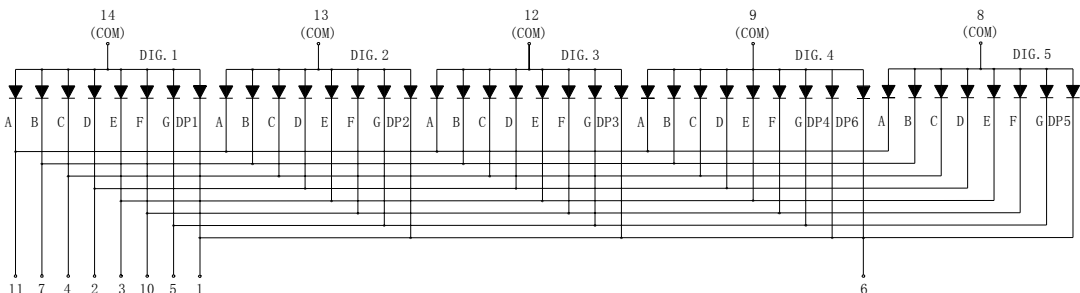


**HS-36A**



- 1. ANODE DP1, DP2, DP3, DP4, DP5
- 2. ANODE D
- 3. ANODE E
- 4. ANODE C
- 5. ANODE G
- 6. ANODE DP6
- 7. ANODE B
- 8. COMMON CATHODE DIG. 5
- 9. COMMON CATHODE DIG. 4
- 10. ANODE F
- 11. ANODE A
- 12. COMMON CATHODE DIG. 3
- 13. COMMON CATHODE DIG. 2
- 14. COMMON CATHODE DIG. 1

**HS-36B**



- 1. CATHODE DP1, DP2, DP3, DP4, DP5
- 2. CATHODE D
- 3. CATHODE E
- 4. CATHODE C
- 5. CATHODE G
- 6. CATHODE DP6
- 7. CATHODE B
- 8. COMMON ANODE DIG. 5
- 9. COMMON ANODE DIG. 4
- 10. CATHODE F
- 11. CATHODE A
- 12. COMMON ANODE DIG. 3
- 13. COMMON ANODE DIG. 2
- 14. COMMON ANODE DIG. 1