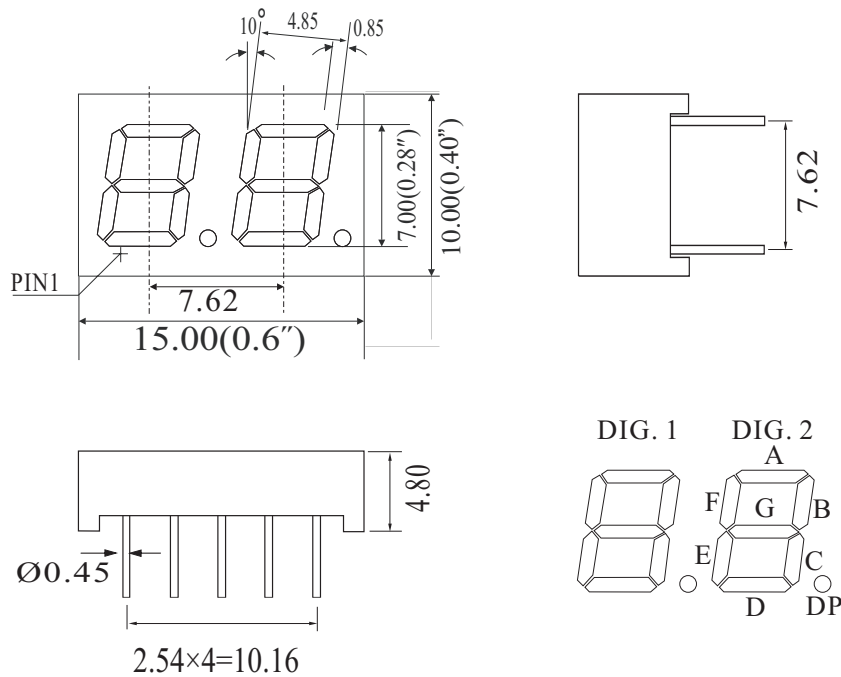


**PACKAGE DIMENSION**

HS-2281A/BX



UNIT: MM(INCH) TOLERANCE:  $\pm 0.25(0.01")$

**Internal Circuit Diagram**

HS-2281A

HS-2281B

