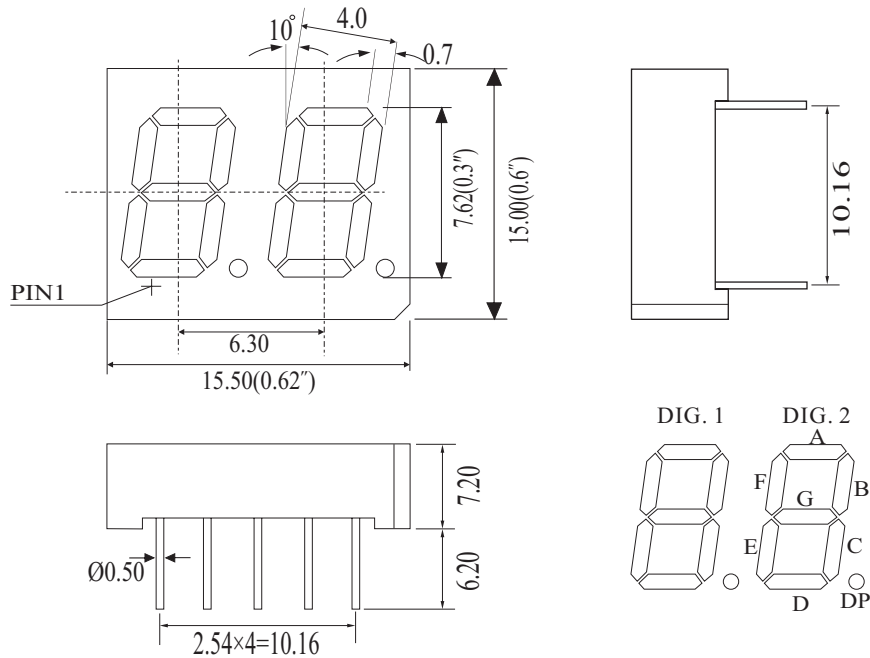


PACKAGE DIMENSION

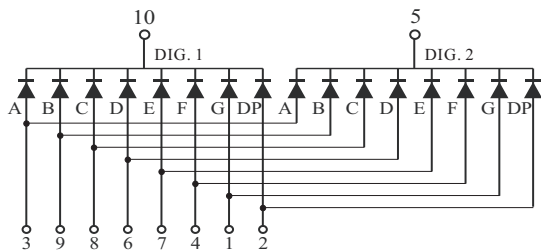
HS-3201A/BX



UNIT: MM(INCH) TOLERANCE: $\pm 0.25(0.01)$ "

Internal Circuit Diagram

HS-3201A



HS-3201B

