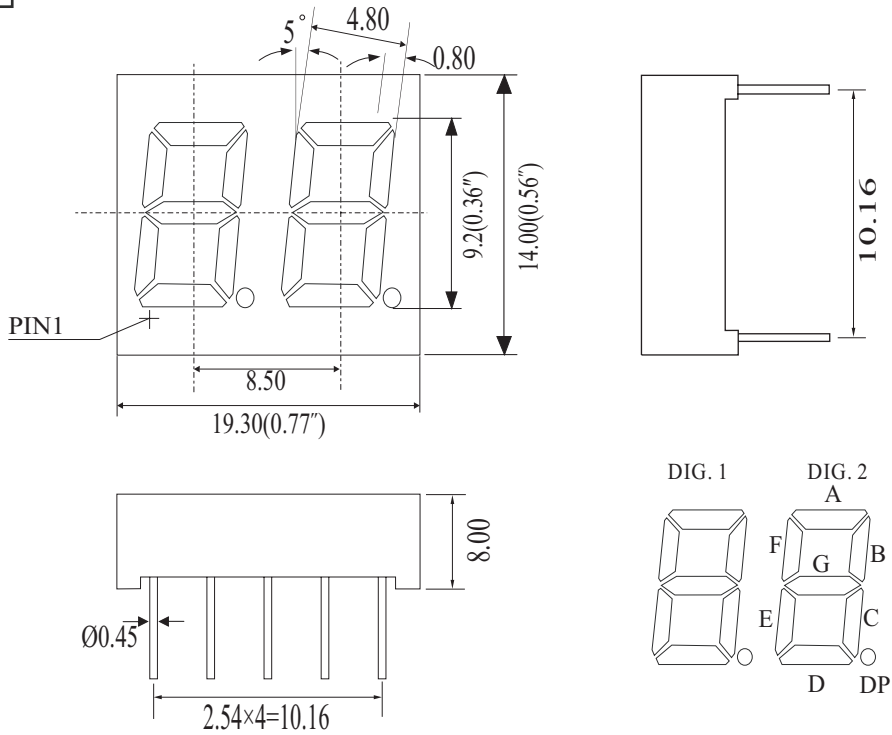


PACKAGE DIMENSION

HS-3261A/BX



UNIT: MM(INCH) TOLERANCE: $\pm 0.25(0.01'')$

Internal Circuit Diagram

