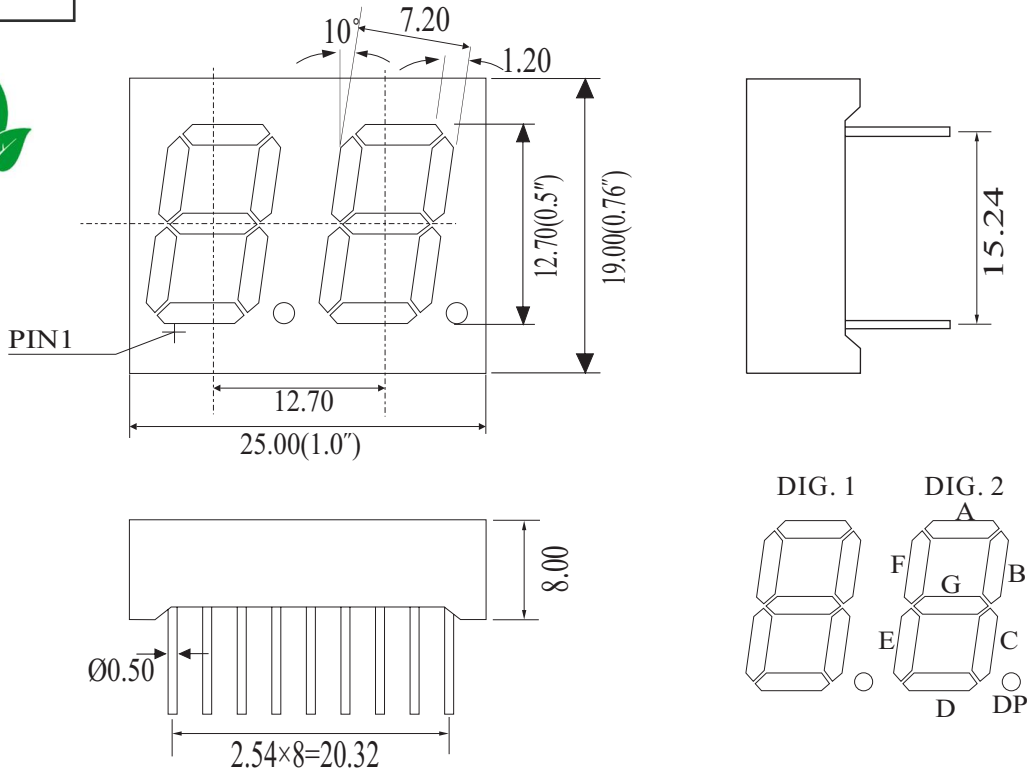


**PACKAGE DIMENSION**

HS-5202A/BX



UNIT: MM(INCH) TOLERANCE:  $\pm 0.25(0.01)$ "

**Internal Circuit Diagram**

HS-5202A

HS-5202B

