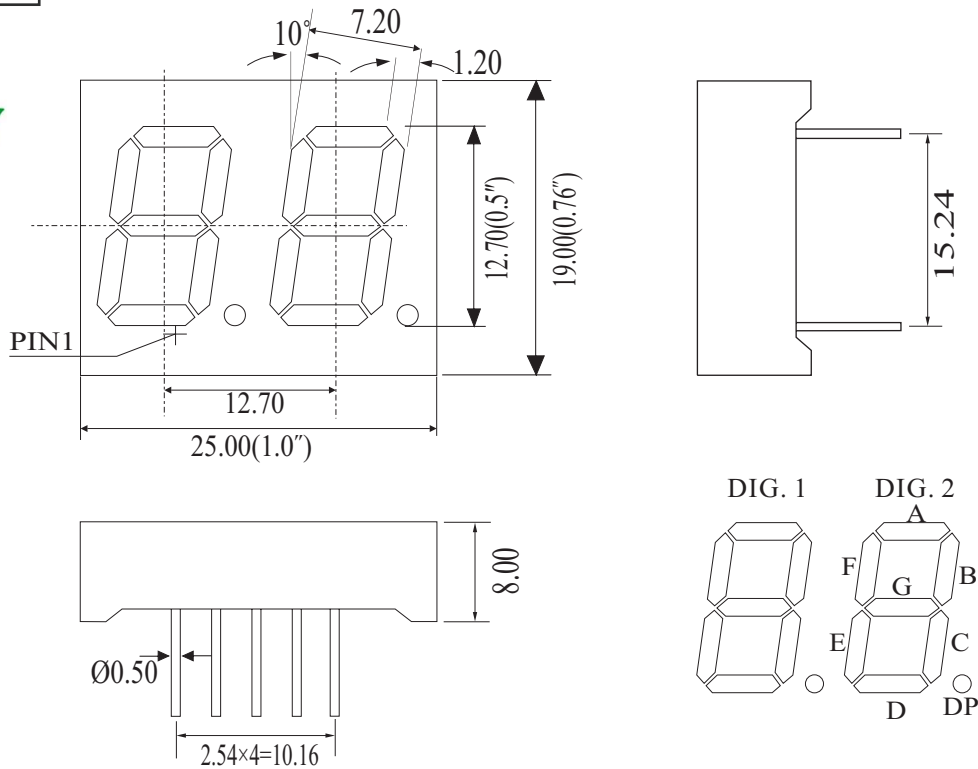


PACKAGE DIMENSION

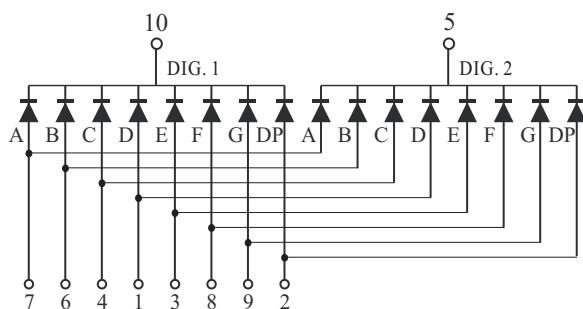
HS-5202E/FX



UNIT: MM(INCH) TOLERANCE: $\pm 0.25(0.01)$ "

Internal Circuit Diagram

HS-5202E



HS-5202F

