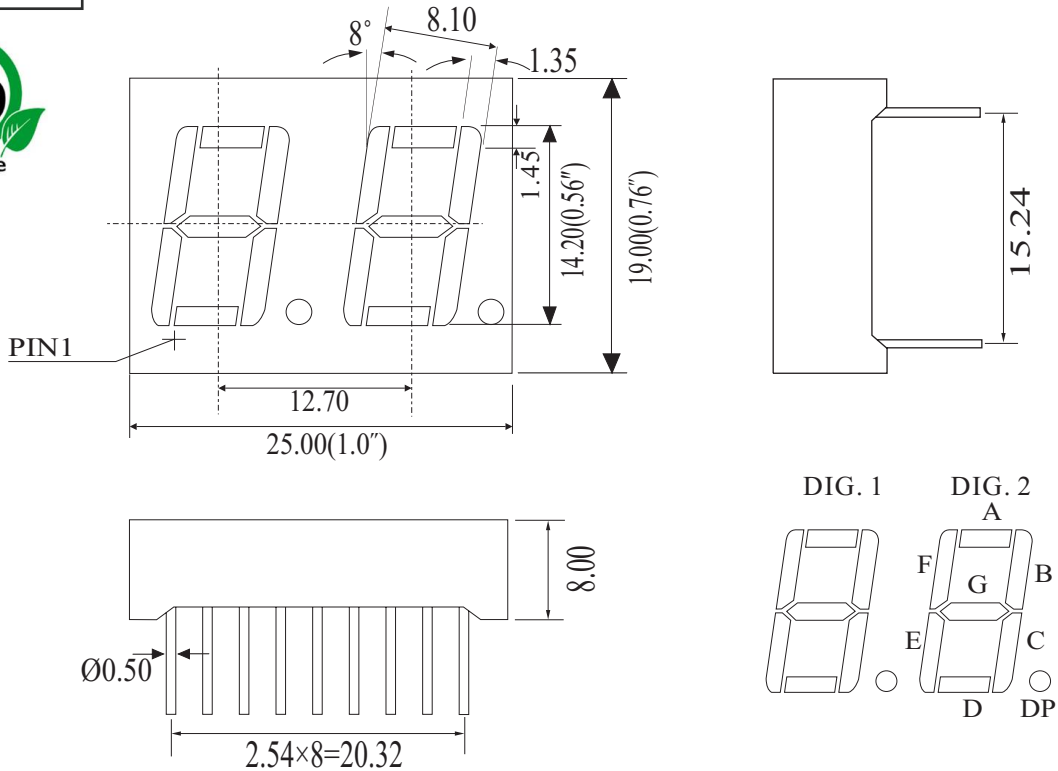


PACKAGE DIMENSION

HS-5261A/BX



UNIT: MM(INCH) TOLERANCE: $\pm 0.25(0.01)$

Internal Circuit Diagram

HS-5261A

HS-5261B

