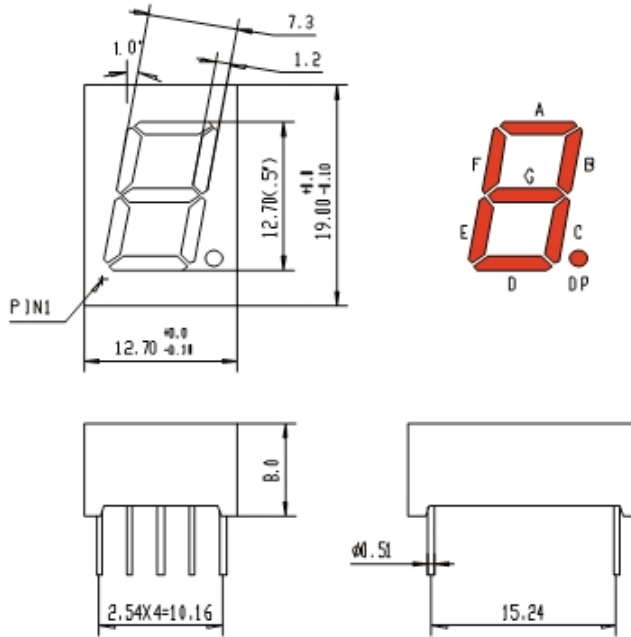


**PACKAGE DIMENSION**

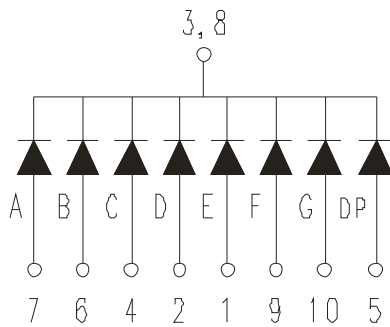
HS-5101A/BX



UNIT: MM(INCH) TOLERANCE:  $\pm 0.25(0.01")$

**Internal Circuit Diagram**

**HS-50A**



**HS-50B**

