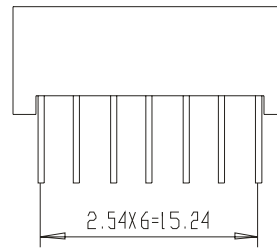
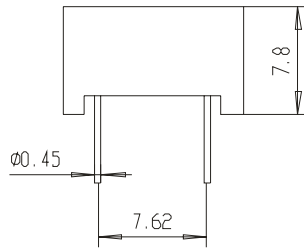
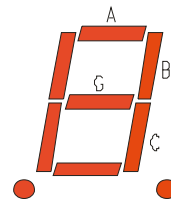
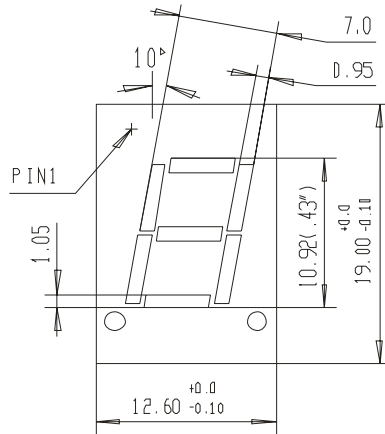


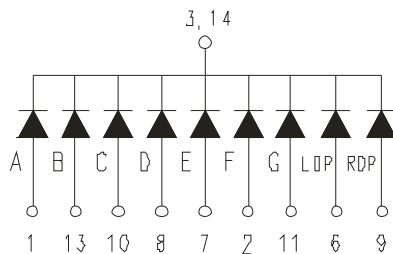
**Package Dimension**

HS-4131A/BX

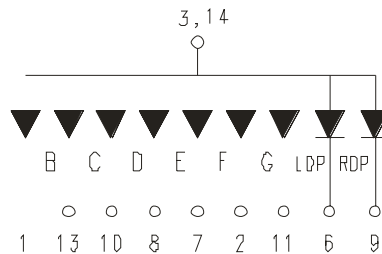


**Internal Circuit Diagram**

HS-4131A



HS-4131B



4 5 12 NO PIN