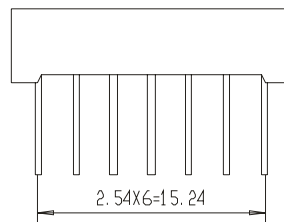
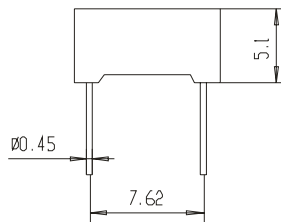
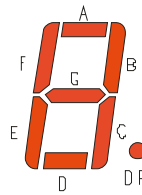
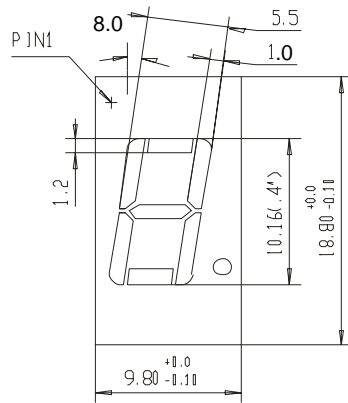


**Package Dimension**

HS-4102A/BX

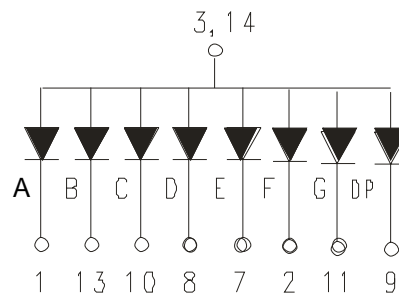
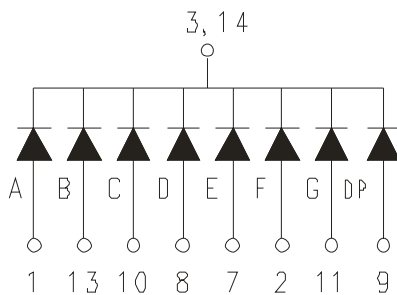


UNIT: MM(INCH) TOLERANCE: ±0.25(0.01")

**Internal Circuit Diagram**

HS-4102A

HS-4102B



4 5 6 12 NO PIN