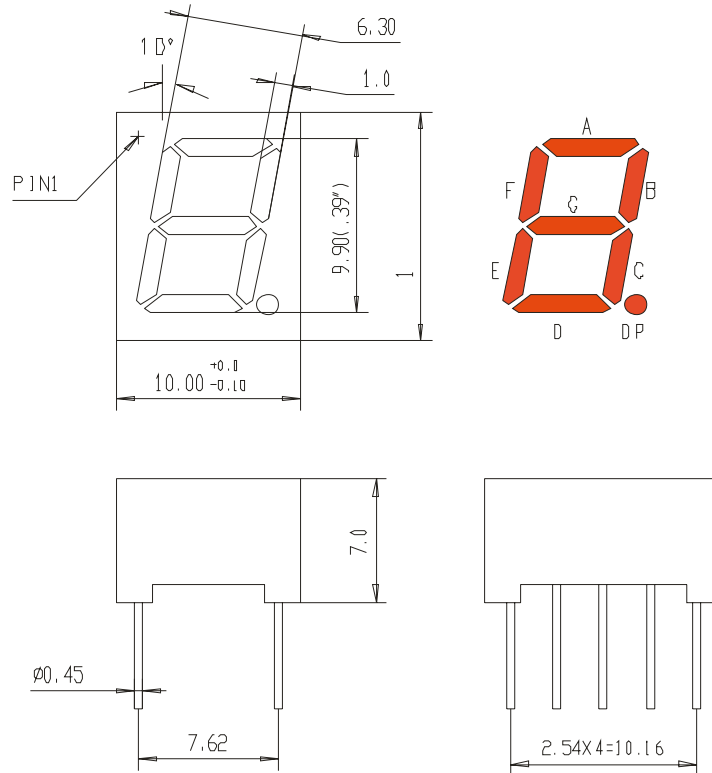


Package Dimension

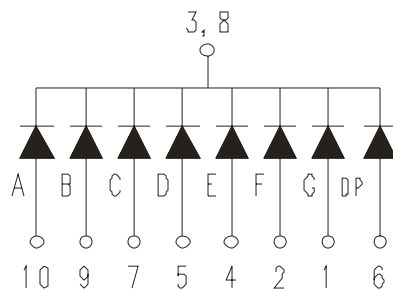
HS-3191A/BX



UNIT: MM(INCH) TOLERANCE: $\pm 0.25(0.01'')$

Internal Circuit Diagram

HS-3191A



HS-3191B

