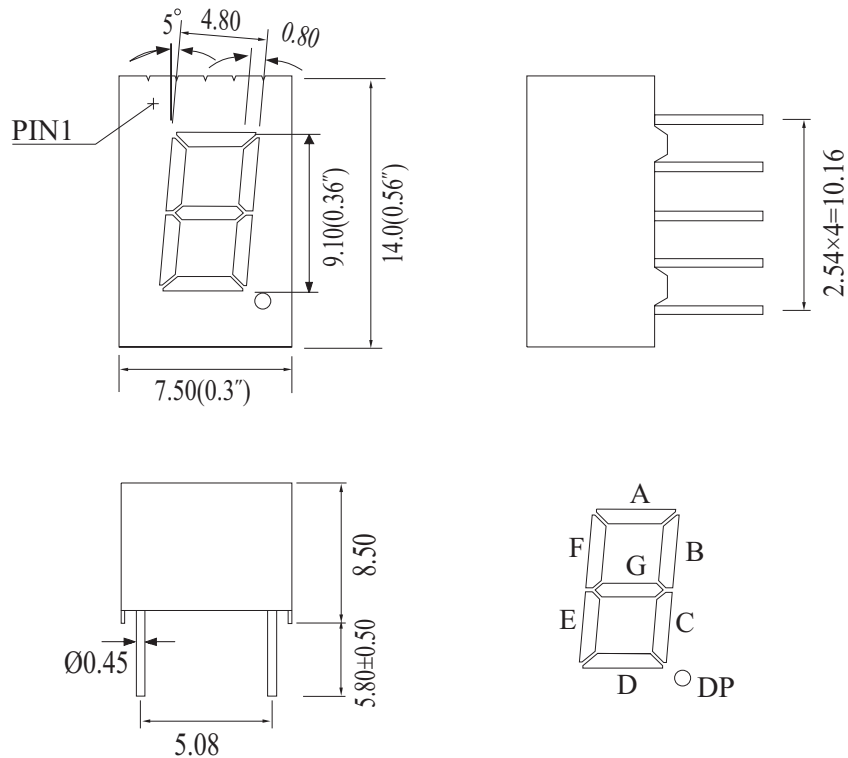


Package Dimension

HS-3161A/BX



UNIT: MM(INCH) TOLERANCE: $\pm 0.25(0.01'')$

Internal Circuit Diagram

HS-3161AX

HS-3161BX

